

**Transformer/X-10 Interface Kit**

**Installation and Setup Guide**

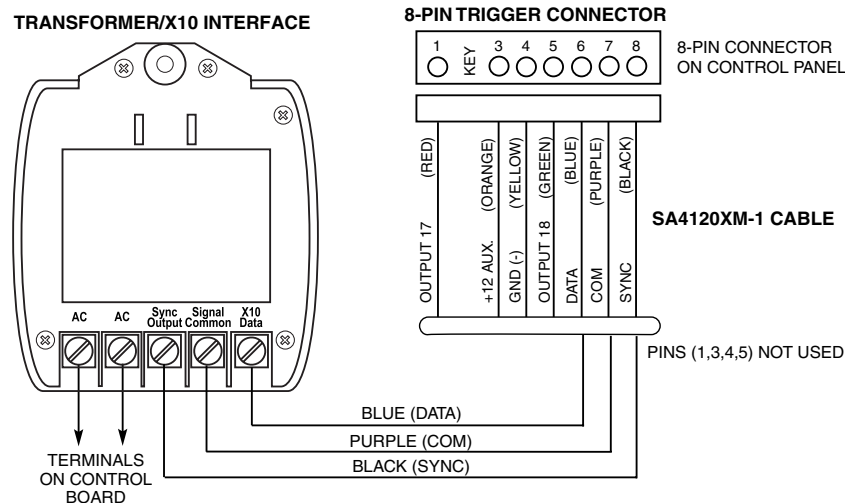
The 1361X10N Transformer/X-10 Interface contained in this kit is used in place of the standard system transformer for the purpose of controlling X-10 devices from an alarm control panel. It is a replacement for the 4300 transformer, which is no longer available.

This installation kit contains:

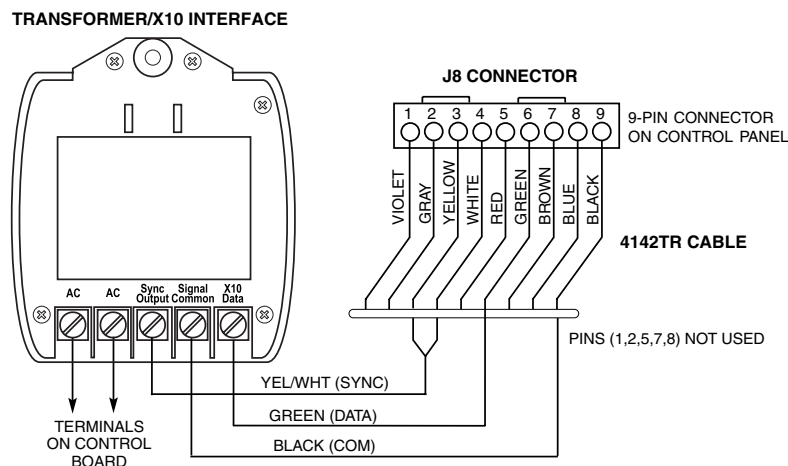
- (1) 1361X10N Transformer/X-10 Interface
- (1) SA4120XM-1 Trigger Cable (Refer to Figure 1 for where-used information)
- (1) SA4142TR Trigger Cable (Refer to Figures 2 and 3 for where-used information)

Install the 1361X10N as follows:

1. Wire as shown for the applicable control panel, using the specified cable.
2. Plug the trigger cable into the trigger connector on the control.
3. Plug the 1361X10N into an AC wall outlet.
4. Program the alarm panel as required for output device control.

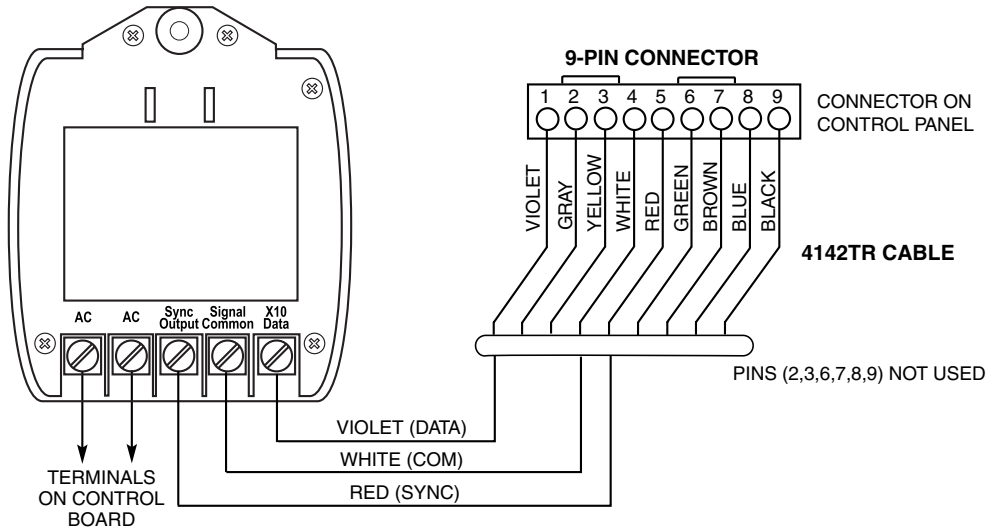


**Figure 1. Connections for Vista-15P, Vista-20P, Vista-20PS, FA148CP, FA168C/P/S, or equivalent**



**Figure 2. Connections for Vista-40, Vista-50, Vista-128B, Vista-128BP, Vista-250BP, FA1220C, FA1340C, FA1660C, or equivalent**

**TRANSFORMER/X10 INTERFACE**



1361X10-003-V0

**Figure 3. Connections for Vista-15, Vista-20SE, FA148C, FA162C, or equivalent**

**SEE THE CONTROL PANEL'S INSTALLATION INSTRUCTIONS FOR COMPLETE INFORMATION REGARDING THE LIMITATIONS OF THE ENTIRE SECURITY SYSTEM.**

**ADEMCO**

**A Honeywell Company**

**165 Eileen Way, Syosset, NY 11791**

Copyright © 2003 Honeywell International Inc.

[www.ademco.com](http://www.ademco.com)



K9508 7/03